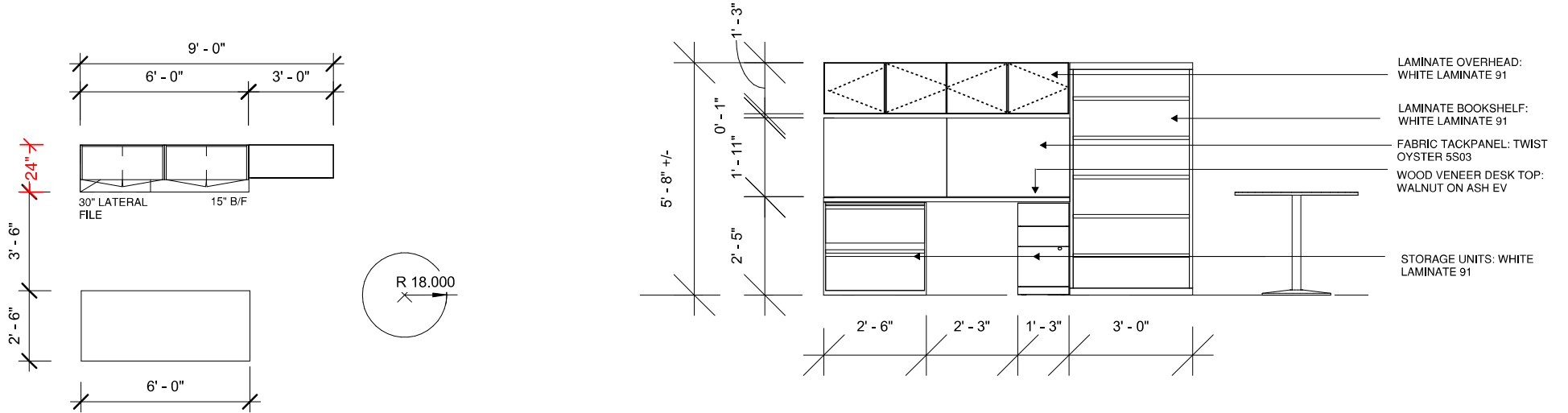


PO-01 | PRIVATE OFFICE



BASIS OF DESIGN - HERMAN MILLER CANVAS

