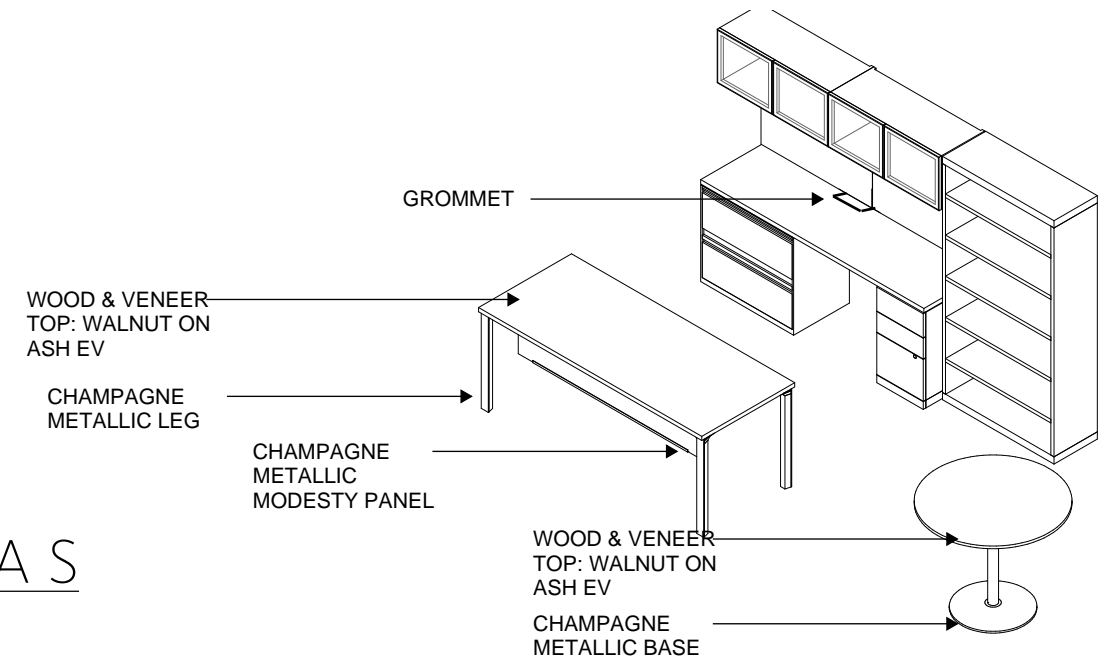
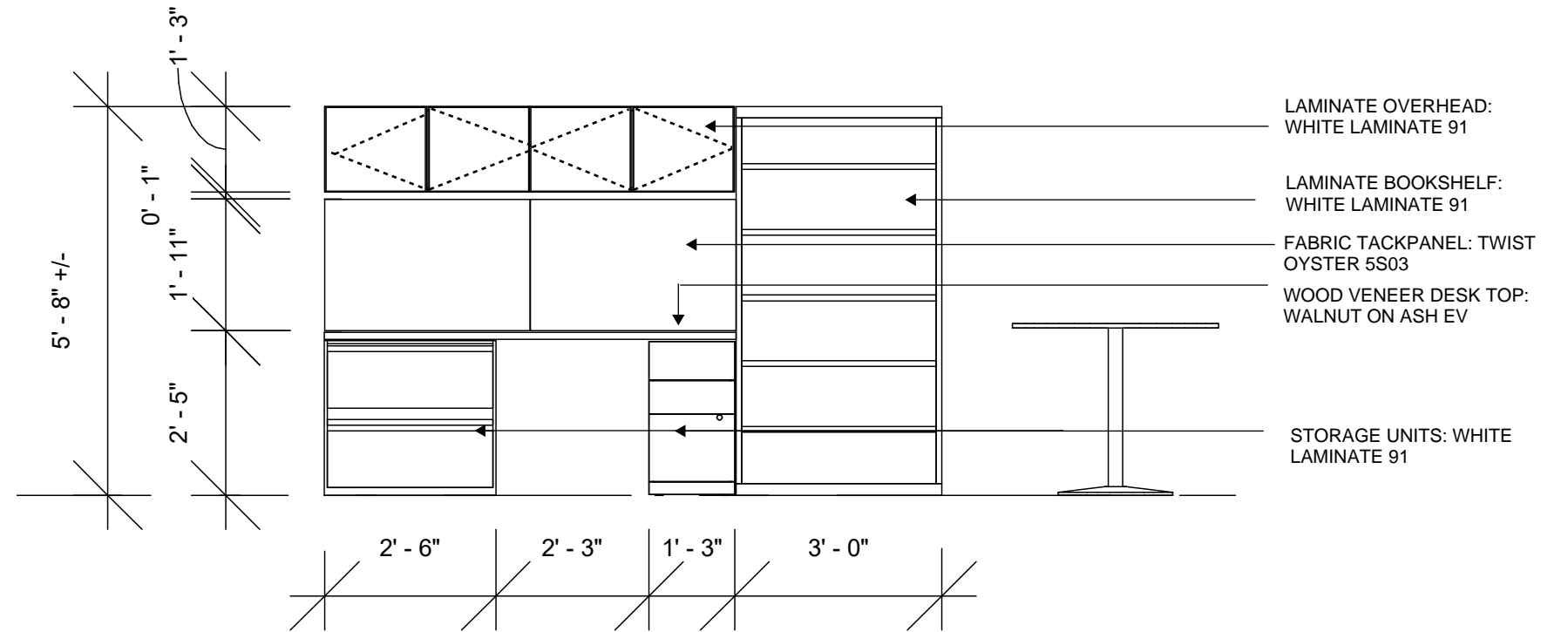
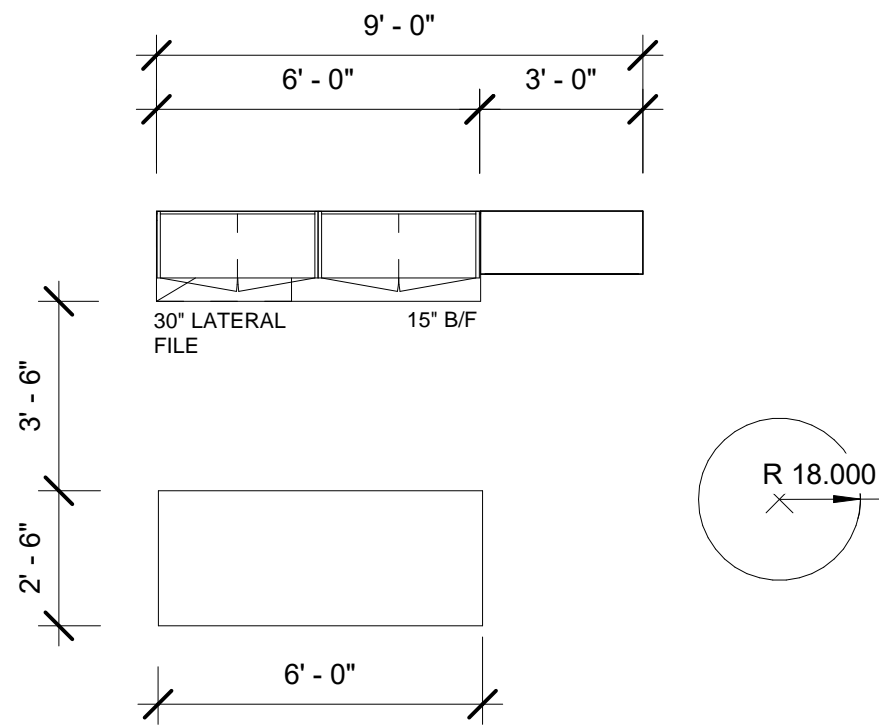


**RICE MCNAIR HALL  
PHASE 1.3 & 1.4**

---

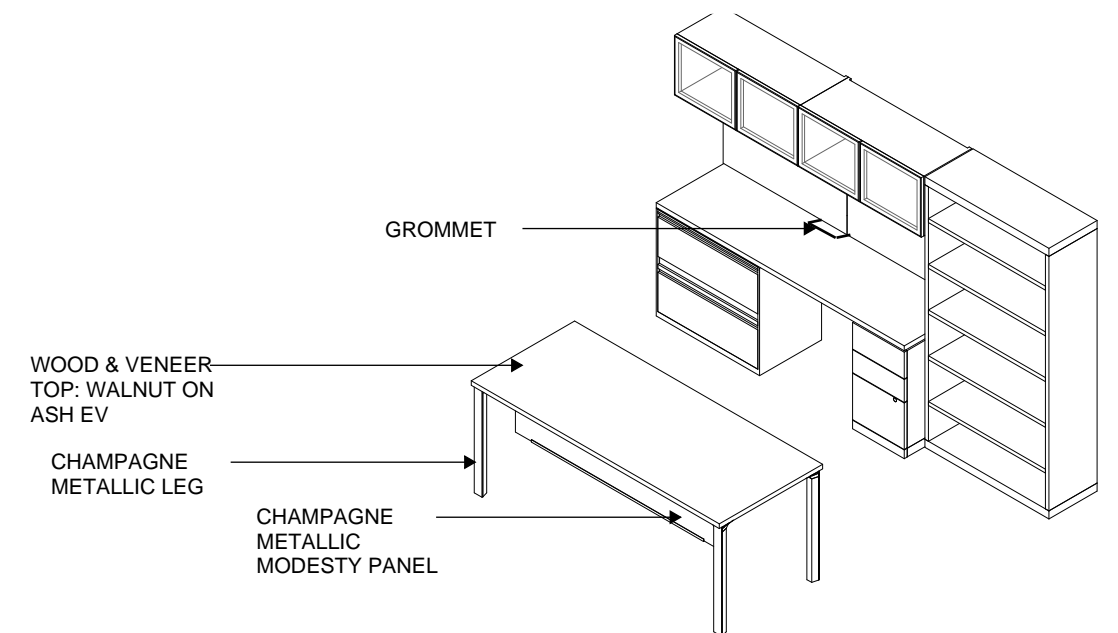
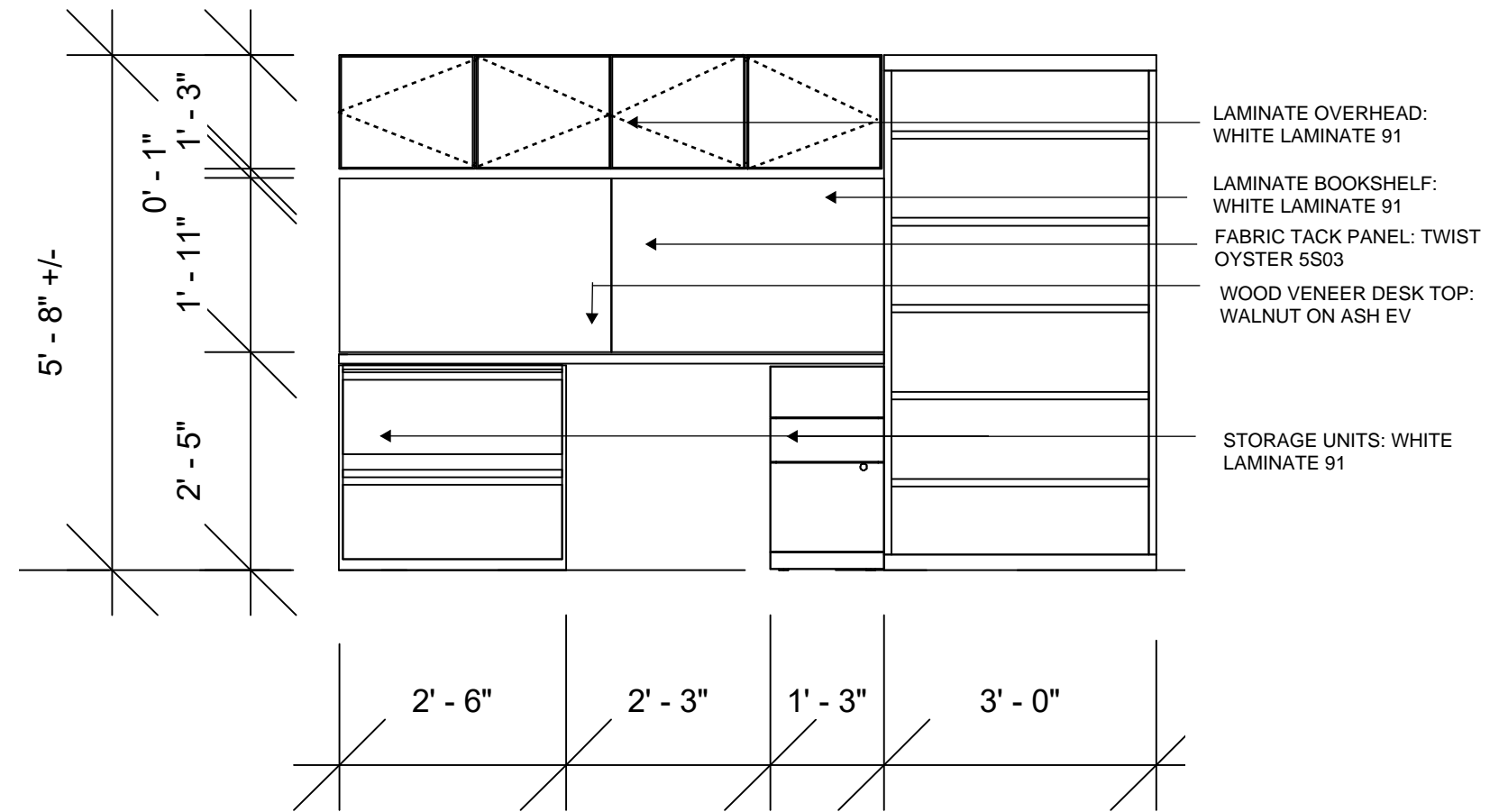
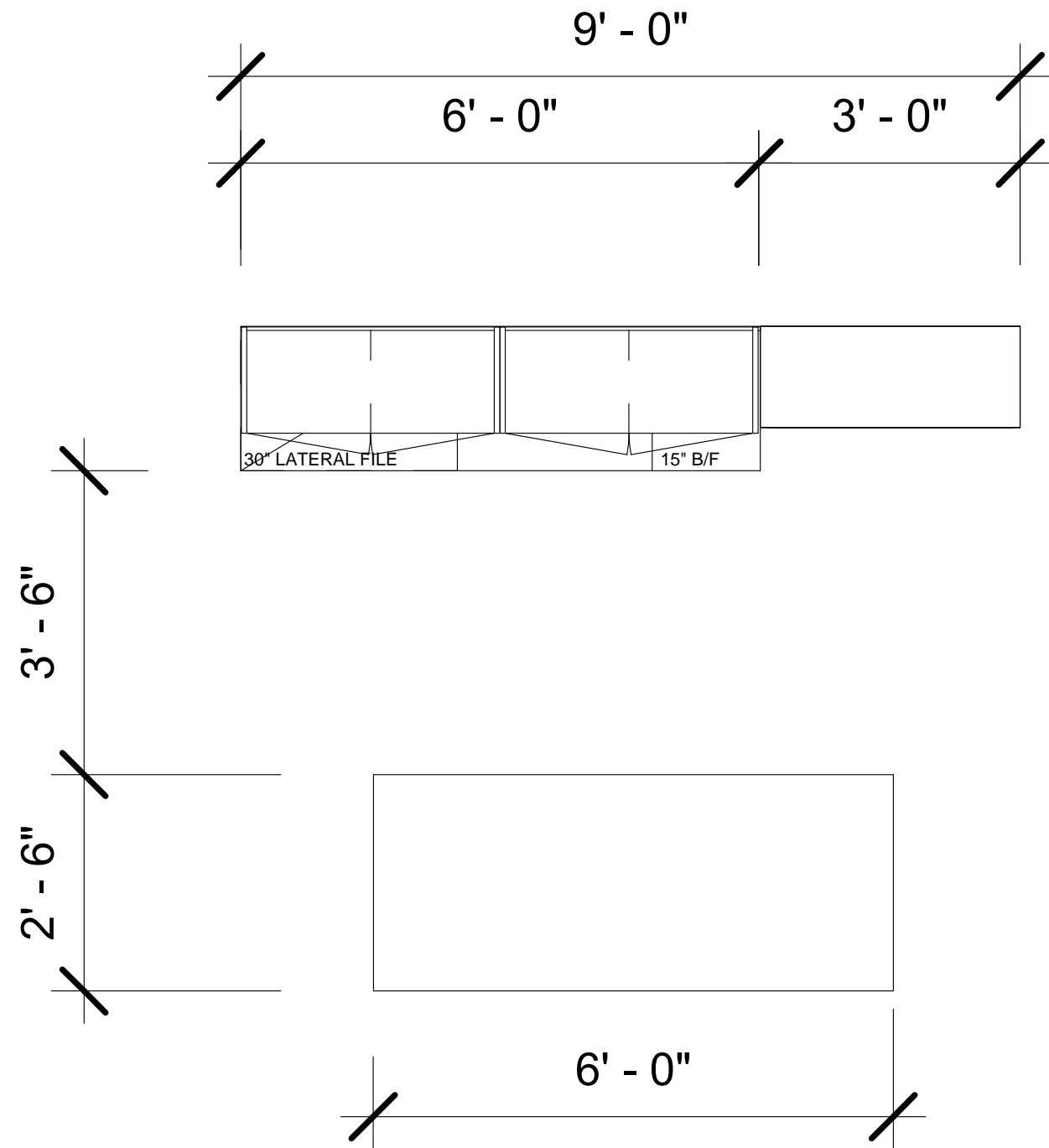
**OFFICE AND WORKSTATION PACKAGE**

# PO-01 | PRIVATE OFFICE



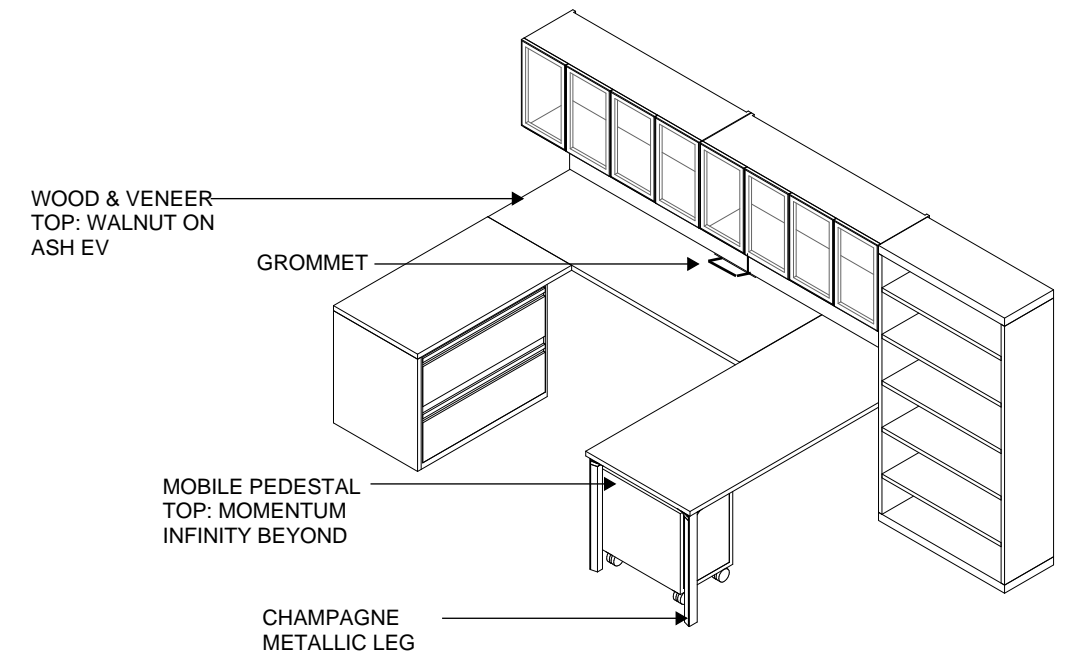
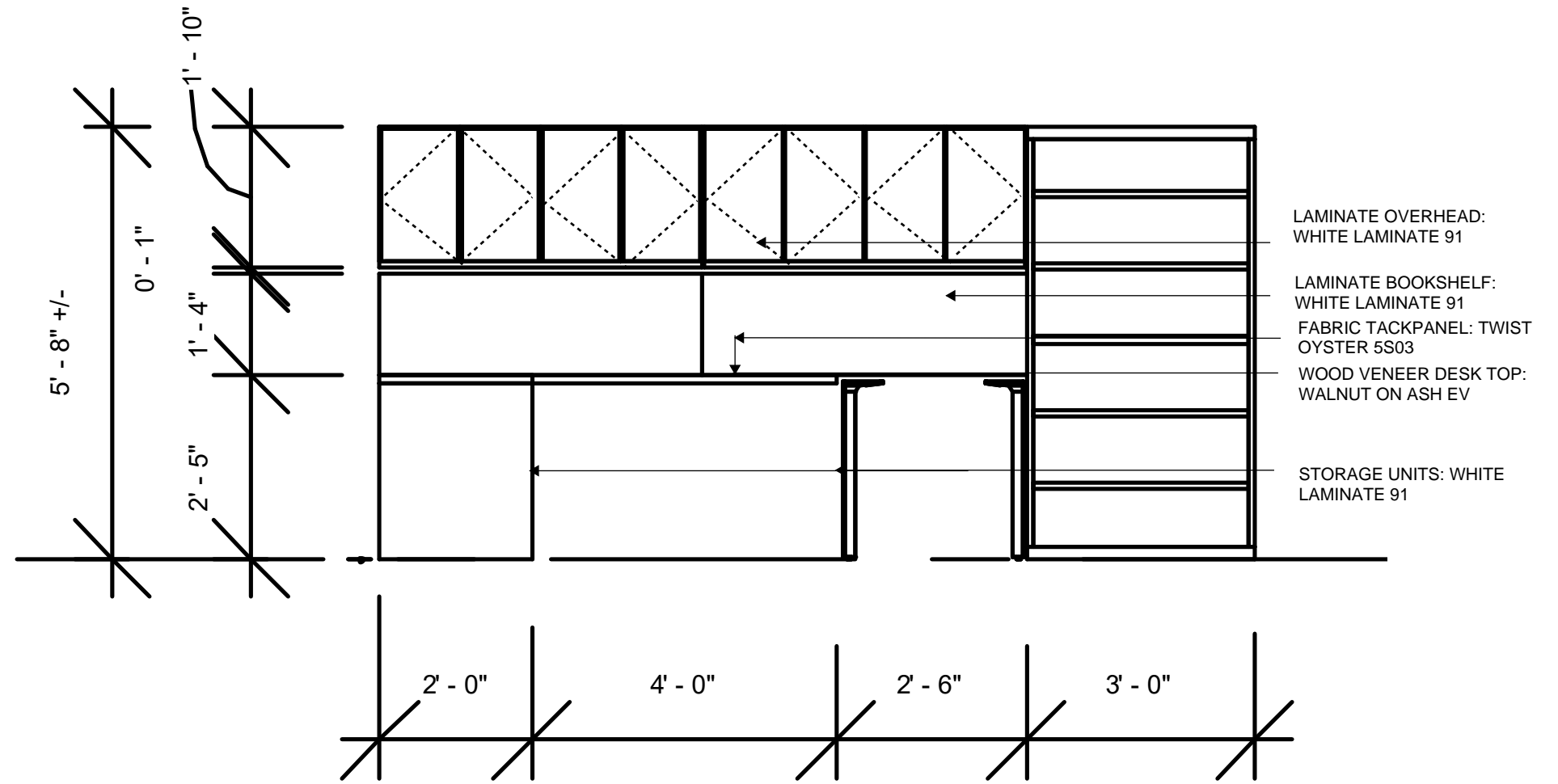
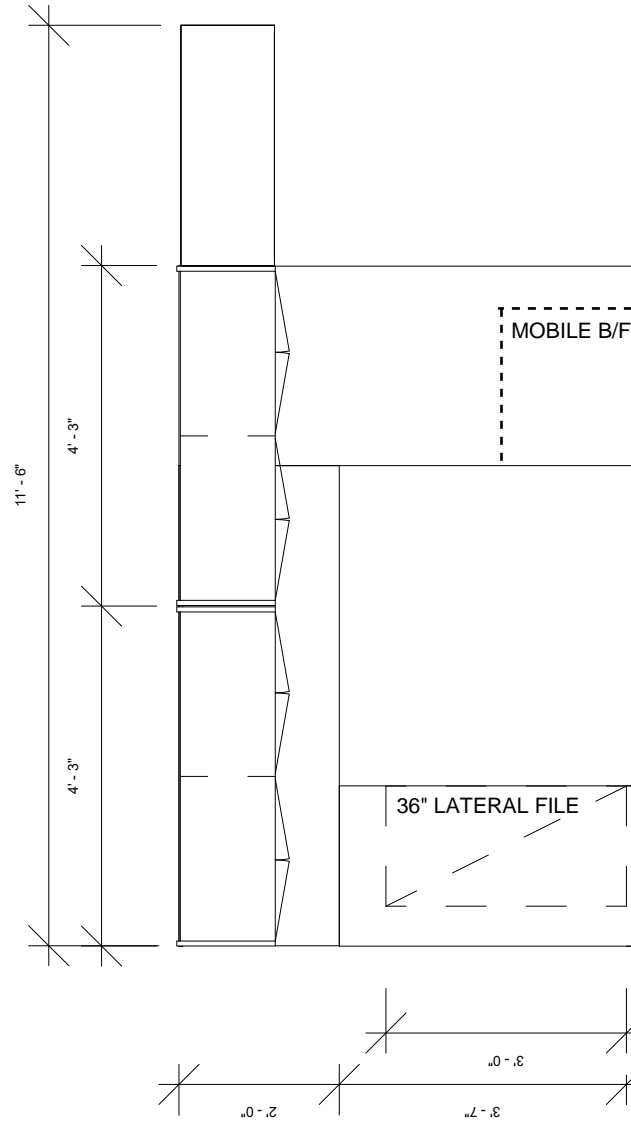
BASIS OF DESIGN - HERMAN MILLER CANVAS

# PO-02 | PRIVATE OFFICE



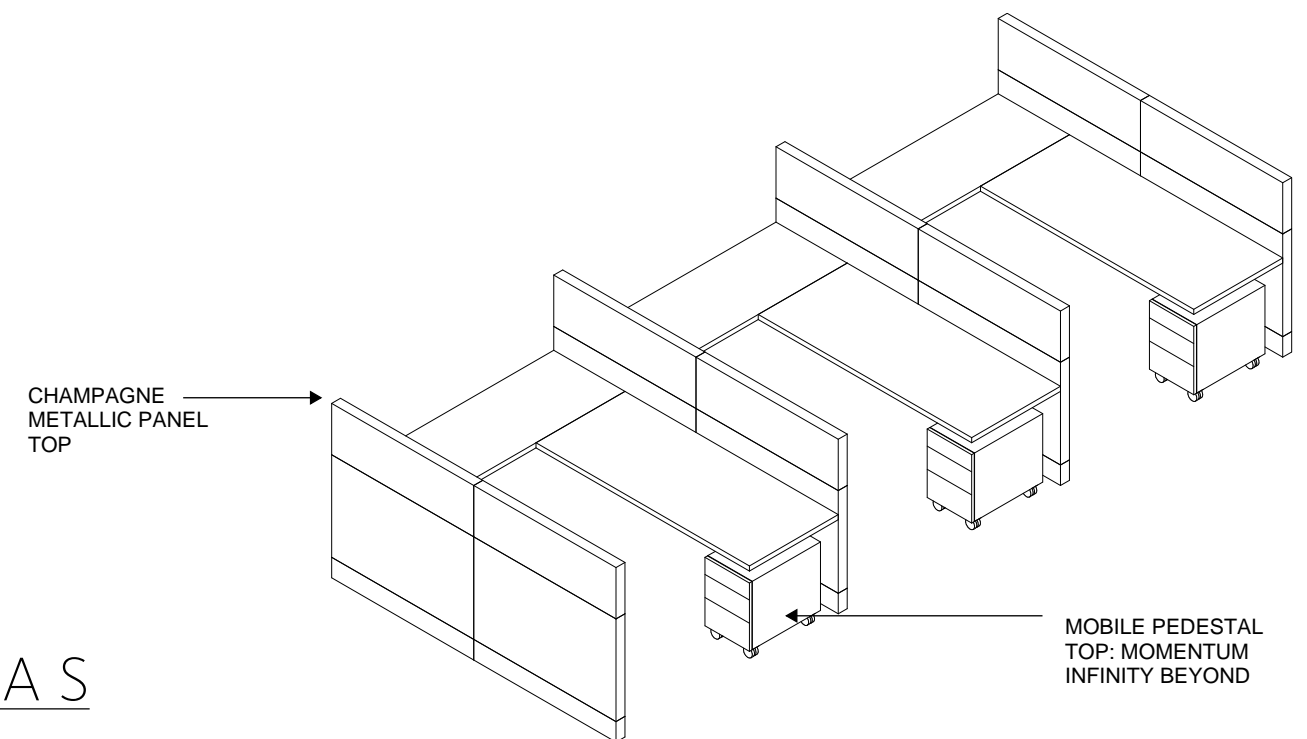
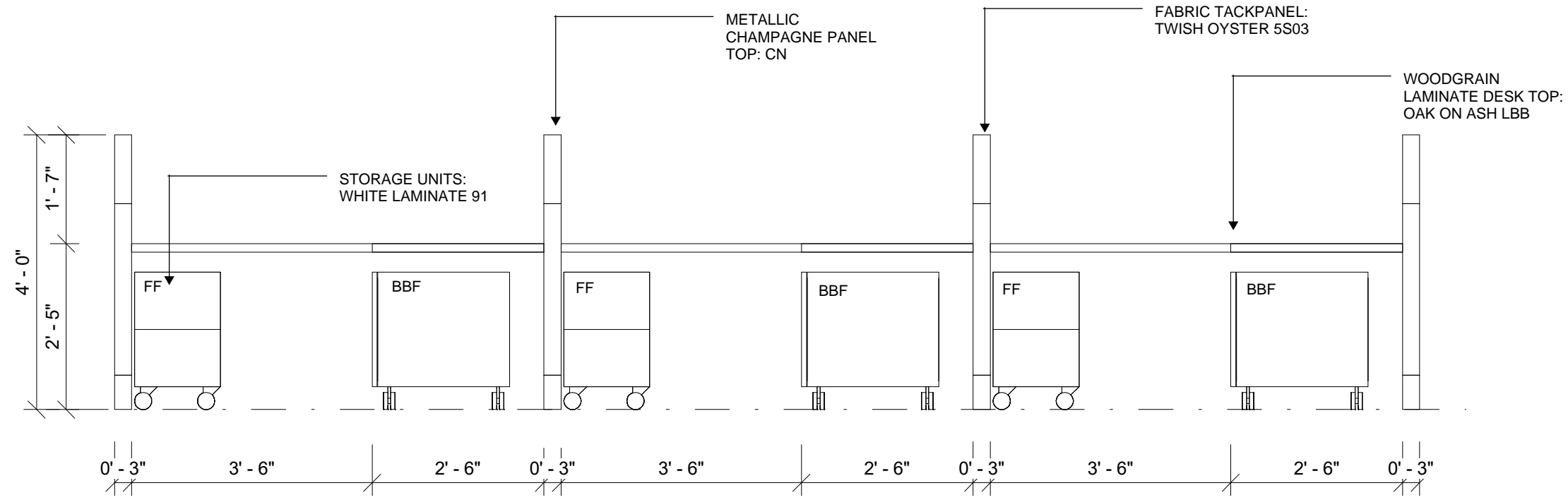
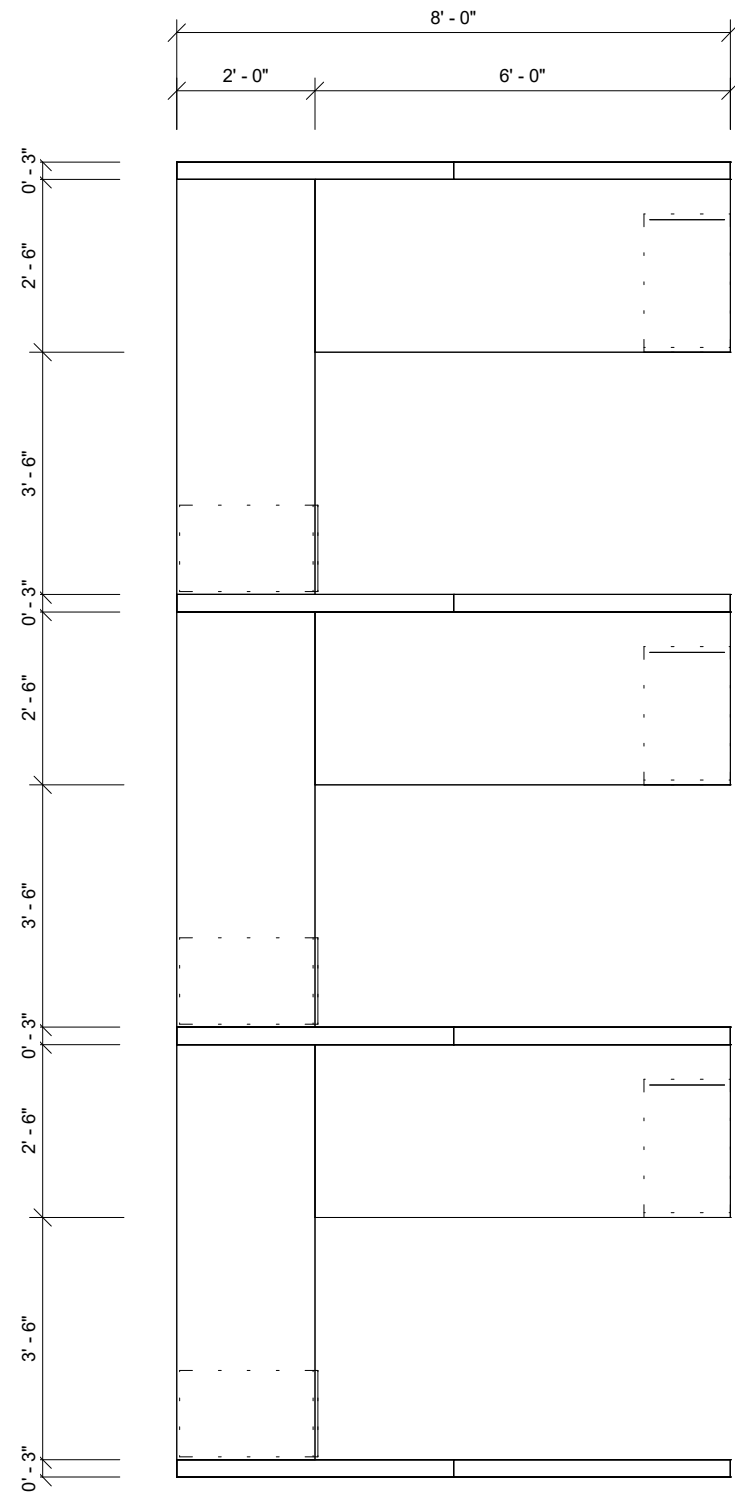
BASIS OF DESIGN - HERMAN MILLER CANVAS

# PO-03 | PRIVATE OFFICE



BASIS OF DESIGN - HERMAN MILLER CANVAS

# WKS-01 | WORKSTATION



BASIS OF DESIGN - HERMAN MILLER CANVAS